

ALPENINOX

Crio Smart 2 Glass Door Digital Refrigerator, 1430lt (+2/+10) R290

ITEM # _____

MODEL # _____

NAME # _____

SIS # _____

AIA # _____



729503 (AR4142GR)

2-glass door refrigerator
1430lt, +2/+10°C, digital,
(R290), stainless steel

Short Form Specification

Item No. _____

Two full glass door refrigerator with internal and external structure in 430 AISI stainless steel; external back panel in galvanized steel and bottom panel in anti-corrosive material. Digital control with cabinet temperature display and setting and manual activation of defrost cycle. Fully compliant HACCP digital controls include visible alarms. Optimized back to front forced air flow provides even temperature distribution and fast cooling in any conditions. Fitted with 75 mm-thick cyclopentane insulating foam. Door features lock and door microswitch to switch off the fan when the door is opened. Hidden evaporator to guarantee higher storage capacity and less corrosion problems. Built-in refrigeration unit; ventilated operation; internal back light; automatic defrost and evaporation of defrost water. For ambient temperatures up to 32 °C. CFC and HCFC free. R290 gas in refrigeration circuit.

APPROVAL: _____

Main Features

- Automatic defrost.
- Large storage area suitable to contain 2/1 GN grids or shelves on anti-tilt runners.
- Performance guaranteed at ambient temperatures of +32°C.
- The operating temperature can be adjusted from +2 to +10°C to suit both meat and dairy storage requirements.
- Cabinet fitted with up to 75 mm thickness of cyclopentane insulation for best insulating performance with 100% environmental protection (thermal conductivity: 0,020 W/m*K).
- Hidden evaporator thus guaranteeing higher storage capacity and less corrosion problems.
- Automatic evaporation of the defrosting water by hot gas on the top for energy saving.
- Cleaning-free condenser: the structure of the wire frame condenser prevents dust and grease accumulation thus avoiding periodical cleaning operations and reducing energy consumption.
- Internal structure with numerous charging positions available to host grids, ensuring higher net capacity and a greater storage space.
- 60 mm-thick insulation covering the evaporator can be easily removed with a single operation.
- Removable triple-chamber balloon magnetic gasket to improve insulation and reduce energy consumption and ease of cleaning.
- Rilsan coated grids for improved protection.
- Two full glass doors.
- Optimized back to front forced air flow provide even temperature distribution and fast cooling in any conditions.
- Digital control with cabinet temperature display and setting, manual activation of defrost cycle and internal light switch. Fully compliant HACCP digital controls include visible alarms.
- CFC and HCFC free, highly ecological refrigerant type: R290 (ecological gas in foam: cyclopentane). Hydrocarbon refrigerant gas R290 for the lowest environmental impact (GWP=3), to reduce green house and ozone depletion effects.
- Led lights on the door guarantee an even light in the cavity.
- Connectivity ready for real time access to connected appliances from remote and data monitoring (requires optional accessory).

Construction

- External back panel in galvanized steel.
- Interior base with rounded corners, pressed from a single sheet.
- Mounted on adjustable Stainless steel feet, with castors as an option.

ALPENINOX

2 Glass Door Digital Refrigerator, 1430lt (+2/+10) R290
Crio Smart

- The rounded internal corners, the easily removable runners and grids allow for ease of cleaning and high hygiene standards.
- CFC and HCFC-free insulation.
- Stainless steel runners and supports easily disassembled.
- Door switch stops the fan when door is opened to avoid cold air exiting the cell, thus saving energy.
- Anti-corrosion bottom avoids any damage that may be caused to the cabinet by aggressive detergents employed to clean the floors.
- Doors are self-closing and can be fully opened up to 180°.
- AISI 430 stainless steel internal structure and external panels.
- Lockable door.
- Easy access to the main components for maintenance.
- R290 refrigerant to reduce green house and ozone depletion effects.
- Refrigerant type: R290.

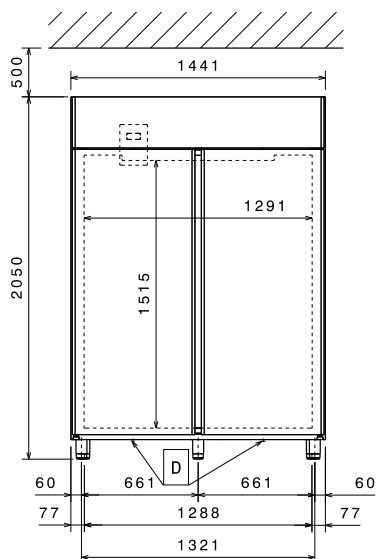
Included Accessories

- 6 of 2/1GN gray rilsan grid with 2 runners PNC 881020

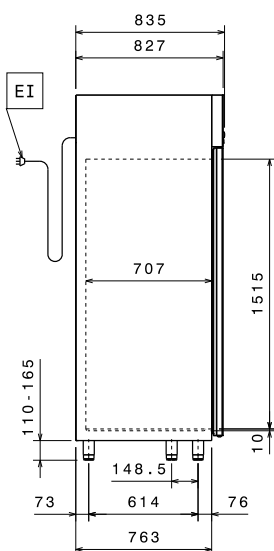
Optional Accessories

- 2 stainless steel runners for refrigerated cabinets - (Marine) PNC 880242
- Spacer for 670L and 1430L refrigerated cabinets PNC 880248
- Kit integrated HACCP for digital refrigerators (IR33) PNC 880252
- Kit to fit 20 pastry trays (400x600mm) PNC 880333
- Plastic container with false bottom, 1/1GN PNC 880705
- 2/1GN gray rilsan grid PNC 881004
- AISI 304 stainless steel grid, 2/1GN PNC 881016
- AISI 304 stainless steel grid with 2 runners, 2/1GN PNC 881018
- Meat rail for 670/1430L refrigerators with 4 hooks PNC 881019
- 2/1GN gray rilsan grid with 2 runners PNC 881020
- Pedal opening for 1430L refrigerators PNC 881033
- PVC container with lid and 2 runners, 2/1GN PNC 881039
- 2/1GN perforated shelf PNC 881042
- 1/1GN rilsan steel wire basket h150mm PNC 881043
- 2/1GN gray rilsan basket + 2 runners h150mm PNC 881047
- Glass door protection kit PNC 881163
- 5 swivelling wheels (2 with brake), diam 125mm, for 1430 lt refrigerators, NOT for remote models PNC 881294
- KIT HACCP EKIS PNC 922166

Front

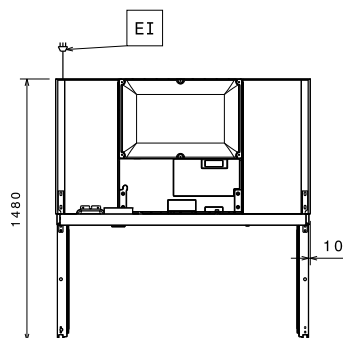


Side



EI = Electrical inlet (power)

Top



Electric

Supply voltage:	729503 (AR4142GR)	220-240 V/1 ph/50 Hz
Electrical power max.:		0.29 kW
Current consumption:		2 Amps
Plug type:		CE-SCHUKO

Key Information:

Gross capacity:	1430 lt
Net Volume:	1006 lt
External dimensions, Width:	1441 mm
External dimensions, Depth:	835 mm
External dimensions, Height:	2010 mm
Number and type of doors:	2 Glass
Internal Dimensions, Width:	1291 mm
Internal Dimensions, Depth:	707 mm
Internal Dimensions, Height:	1515 mm
Net weight:	180 kg
Shipping volume:	2.82 m ³
Number and type of grids (included):	6 - GN 2/1

Refrigeration Data

Control type:	Digital
Compressor power:	1/4 hp
Refrigerant type:	R290
GWP Index:	3
Refrigeration power:	395 W
Refrigeration power at evaporation temperature:	-10 °C
Refrigerant weight:	130 g
Min/Max internal humidity:	
Operating temperature min.:	2 °C
Operating temperature max.:	10 °C
Operating mode:	Ventilated

Product Information (EU Regulation 2015/1094)

Energy Class:	E
Yearly and daily energy consumption:	1883kWh/year - 5kWh/24h
Climate class:	Light Duty (cl.3)
Energy Efficiency Index (EEI):	83.25

EU energy labelling from 1st July 2016

The European energy labelling scheme for professional refrigerators and freezers is based on requirements setting Minimum Energy Performance standards for commercial refrigeration cabinets sold within the EU. These requirements are designed to drive energy efficiency and environmentally friendly approach for professionals. The European energy labelling scheme will apply to all manufacturers and importers who sell and market products within the EU and it is mandatory across Europe. Important: all products which consume energy above the minimum level will not be able to be sold within the EU from 1 July 2016.

SI 2020 No. 1528.

Important: all products which consume energy above the minimum level will not be able to be sold within the EU from 1 July 2016.

